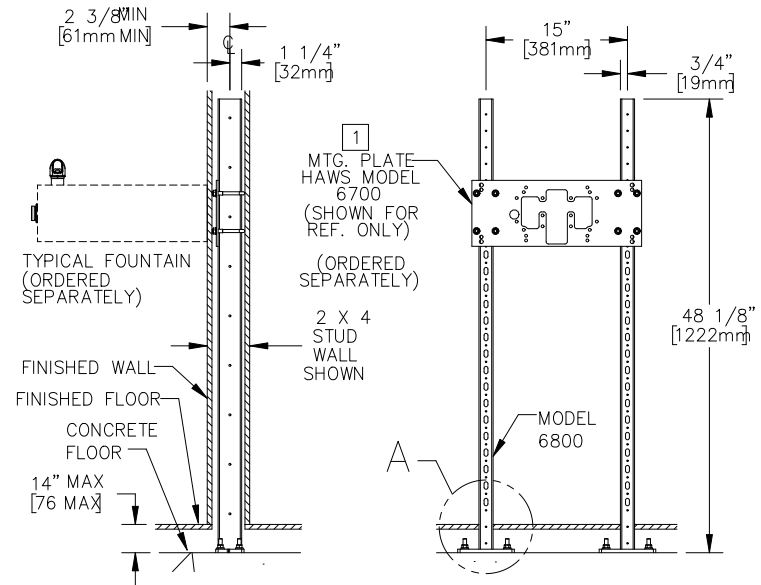
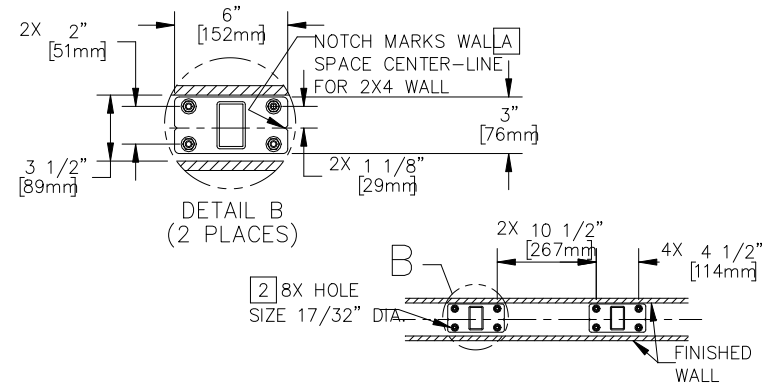
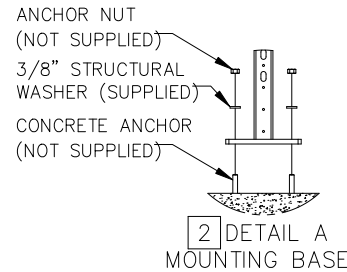


THIS DOCUMENT IS TRUE AND CORRECT AT TIME OF PUBLICATION. CONTINUED PRODUCT IMPROVEMENTS MAKE SPECIFICATIONS AND MEASUREMENTS SUBJECT TO CHANGE WITHOUT NOTICE.

NOTES:

1. THE 6800 SUPPORT CARRIER CAN ALSO BE USED WITH MOUNTING PLATE MODELS 6705, 6710, 6715, 6717, AND 6776.
2. CONCRETE ANCHORS NOT SUPPLIED. 3/8" ANCHORS ARE RECOMMENDED AND SHOULD BE USED WITH SUPPLIED 3/8" STRUCTURAL WASHERS. 1/2" ANCHORS ARE ALSO ACCEPTABLE. ANCHORS SHALL BE PROPERLY SELECTED FOR THE APPLICATION AND SHALL HAVE A MINIMUM 1,200 LBF PULL OUT/AXIAL LOAD CAPACITY EACH.
3. HOLD ROUGH-IN DIMENSIONS ±1/4" (6.4mm).
4. WHEN INSTALLING THIS UNIT, LOCAL, STATE, OR FEDERAL CODES SHOULD BE ADHERED TO.
5. SLOTTED HOLES IN MODEL 6800 ARE FOR TOOL CLEARANCE TO INSTALL MODEL 6810W DRAIN BYPASS INSERT (SEE SHEET 3).
6. INSTALLATION SEQUENCE:
  - A. USE HAWS MODEL 6800/6810 FULLY ASSEMBLED TO MOUNTING PLATE AS A TEMPLATE IF DRILLING CONCRETE FOR ANCHORS.
  - B. FASTEN MODEL 6800 TO CONCRETE ANCHORS WITH THE SLOTTED HOLES FACING TOWARDS THE PLUMBING FIXTURE. FOLLOW THE ANCHOR MANUFACTURER'S INSTRUCTIONS FOR PROPER TORQUE.
  - C. INSTALL THE APPROPRIATE MOUNTING PLATE FOR YOUR PLUMBING FIXTURE (PURCHASED SEPARATELY) WITH THE SUPPLIED 3/8" U-BOLTS. REFER TO THE INSTALLATION DRAWINGS INCLUDED WITH THE MOUNTING PLATE FOR DETAILED INSTRUCTIONS FOR YOUR PLUMBING FIXTURE.

(NOTES FOR MODELS 6810 & 6810W ON SHEET 3)



FOR MODELS: 1001, 1025, 1047, 1075, 1105, 1107L, AND 1109  
 SEE PAGES 2&3 FOR OTHER MODELS

**ATTENTION**  
 THIS IN-WALL CARRIER IS USED WITH SEVERAL DIFFERENT MODELS FOR FOUNTAIN ROUGH-IN HEIGHTS AND MOUNTING PLATE ORIENTATION. SEE THE MOST CURRENT INSTALLATION INSTRUCTIONS SUPPLIED WITH THE FOUNTAIN AND MOUNTING PLATE BEING USED PRIOR TO INSTALLING THIS UNIT.

		1455 KLEPPE LANE SPARKS, NEVADA 89431 (775) 359-4712 FAX (775) 359-7424 E-MAIL: HAWS@HAWSCO.COM WEBSITE: WWW.HAWSCO.COM	
ECN: 5877	REV. EGN: 5877	BY: JU	MODEL(S) 6800, 6810, & 6810W
DRAWN: JU	DATE: 01/09/23	CHK'D: JU	UNIVERSAL IN WALL CARRIER SUPPORT
APPROVED: DHP	DATE: 02/06/23	SCALE: 1:16	PART NUMBER 0002080019
DRAWING TYPE: INSTALLATION			REVISION 14
SHEET 1 OF 3			